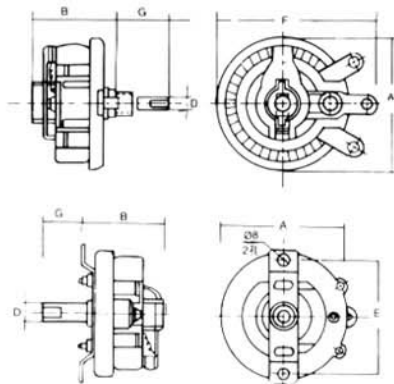


RXDT 型電梯大功率電阻器
RXDT Elevator-Use Powered Resistor

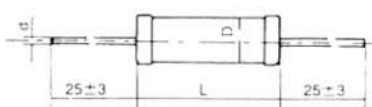
額定功率 Rated power (W)	阻值範圍 Resistance ranges (Ω)	外型尺寸(mm) Dimensions				
		L	D	d ₁	d ₂	H
400	0.51~10	258	51	35	20	60

BC₁ 型瓷盤繞線變阻器
BC₁ Porcelain Plate Adjustable Resistor



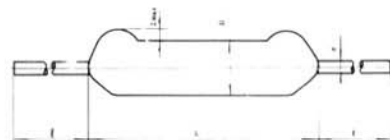
額定功率 Rated power (W)	阻值範圍 Resistance ranges (Ω)	外型尺寸(mm) Dimensions						
		A	B	C	D	E	F	G
25	2~4K	43	40	6	10	-	50	25
50	2~4K	66	42	6	10	-	80	25
100	2~4K	83	44	6	10	-	105	25
150	2~4K	106	54	6	10	-	130	25
300	2~4K	170	90	10	-	145	180	45
500	2~4K	210	70	10	-	60	230	60
50×2	2~8K	85	110	6	10	-	80	52
100×2	2~8K	115	145	6	10	-	105	52
150×2	2~8K	135	155	6	10	-	130	52
300×2	2~8K	180	165	10	-	146	180	38
500×2	2~8K	220	165	10	-	192	230	38
150×3	4~8K	135	220	10	-	100	130	26
300×3	4~8K	180	275	10	-	146	180	38
500×3	4~8K	220	295	10	-	192	230	38

RX21(RX1)型塗漆線繞電阻器
Model RX21(RX1) Winding Stationary Resistor



額定功率 Rated power (W)	阻值範圍 Resistance ranges (Ω)	外型尺寸(mm) Dimensions		
		L	D	d
1	0.15~510	12	4.5	0.6
2	0.15~5.1K	16	6	0.8
4	0.15~10K	26	9	0.8
8	0.15~33K	34	10	1.0
12	0.15~39K	54	10	1.0

RX22(RXYD)型被釉線繞電阻器
Model RX22(RXYD) Glazed Resistance Winding



額定功率 Rated power (W)	阻值範圍 Resistance ranges (Ω)	外型尺寸(mm) Dimensions			
		L	l	D	d
4	10~1.2K	30	45	5.5	0.8
8	10~4.3K	35	45	8	0.8
12	10~5.1K	55	50	10	1.0