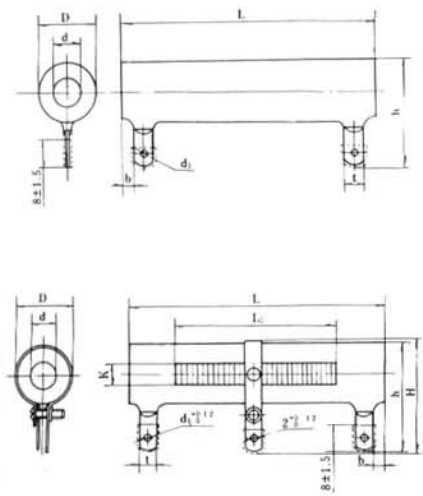


RX20, RX20T 型被釉綫繞電阻器

Model RX20, RX20T Glazed Resistor Winding

額定功率 Rated power (W)	阻值範圍(Ω) Resistance ranges		外型尺寸(mm) Dimensions									
	RX20T	RX20	L	D	d	h	l	K	b	t	d ₁	
	2.5	-	5.2~430	26	13	4	27	-	-	3.5	4.5	2
8	-	5.1~3.3K	35	14	5.5	28.5	-	-	3.5	4.5	2	
10	5.1~200	5.1~10K	41	14	5.5	28.5	20	6+2	3.5	4.5	2	
15	5.1~220	5.1~10K	45	17	8	31	23	6+2	3.5	4.5	2	
20	5.1~220	10~20K	51	17	8	31	30	6+2	3.5	4.5	2	
25	10~510	10~24K	51	21	12	35	30	6+2	3.5	4.5	2	
30	10~1K	10~30K	71	21	12	35	44	6+2	3.5	4.5	2	
40	20~1.2K	20~51K	87	21	12	35	57	6+2	3.5	4.5	2	
50	20~1.5K	20~51K	91	29	20	43	60	7+2	4.5	6	2.5	
75	24~2K	24~56K	140	29	20	43	110	7+2	4.5	6	2.5	
100	24~2.7K	24~62K	170	29	20	43	140	7+2	4.5	6	2.5	
150	27~4.3K	27~100K	215	29	20	43	185	7+2	4.5	6	2.5	
200	27~47K	27~110K	265	29	20	43	230	7+2	4.5	6	2.5	
300	30~51K	30~120K	268	32	20	43	230	7+2	4.5	6	2.5	

可協議生產 400-5000W 非標電阻器
Our factory can also produce 400-5000W non-standard resistors according

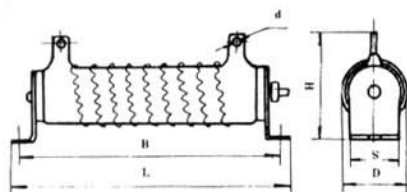


RXG20Y 型被釉, RXG20Q 型被漆波綫繞電阻器

RXG20Y, RX20Q Lacquered Wave Winding Resistor

額定功率(W) Rated power		阻值範圍 Resistance ranges (Ω)	外型尺寸(mm) Dimensions					
RXG20Y	RXG20Q		L	B	S	H	D	d
50	30	0.15~2.2	87	75	20	45	25	2
60	40	0.15~2.4	107	95	20	45	25	2
80	50	0.2~3.0	123	110	20	45	25	2
100	75	0.3~4.7	134	120	30	55	35	2.5
150	100	0.36~5.1	184	170	30	55	35	2.5
200	150	0.43~5.6	215	200	30	55	35	2.5
300	200	0.43~7.5	260	245	30	55	35	2.5
400	300	0.43~10.0	308	295	30	55	35	2.5

可協議生產 500-5000W 電阻器
Our factory can also produce 500-5000W non-standard resistors according



ZB₂ 型板型電阻器

ZB₂ Flato Plate Resistor

額定功率 Rated power (W)	阻值範圍 Resistance ranges (Ω)	外型尺寸(mm) Dimensions				
		L ₁	L ₂	L ₃	H	h
350	0.7~500	306	274	240	108	27

